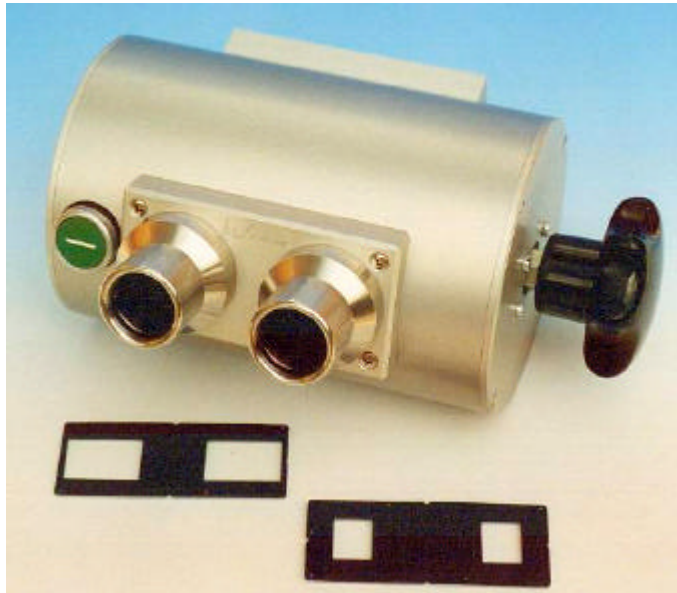
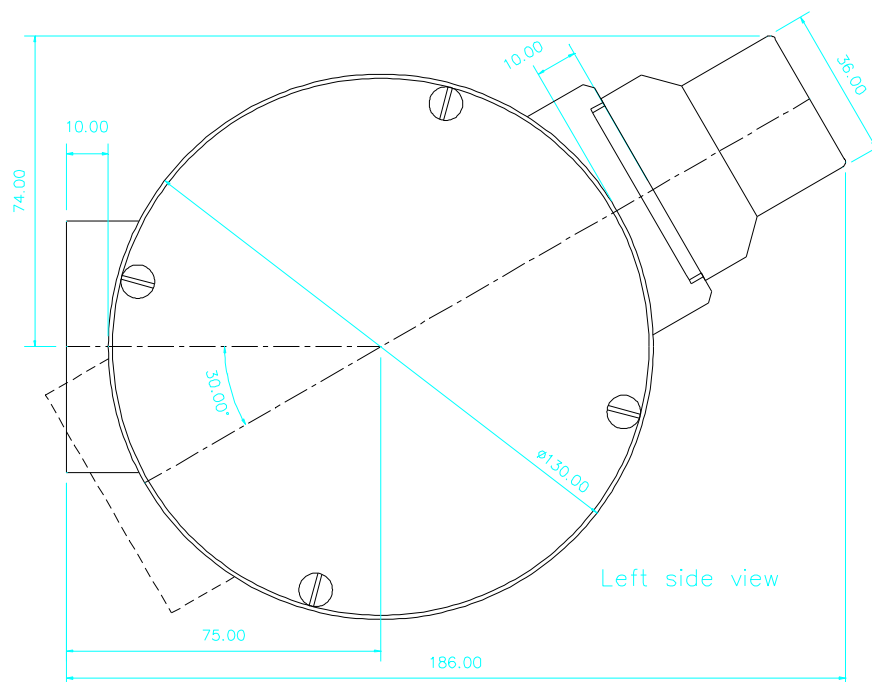


Manual for using the 6-slide viewer

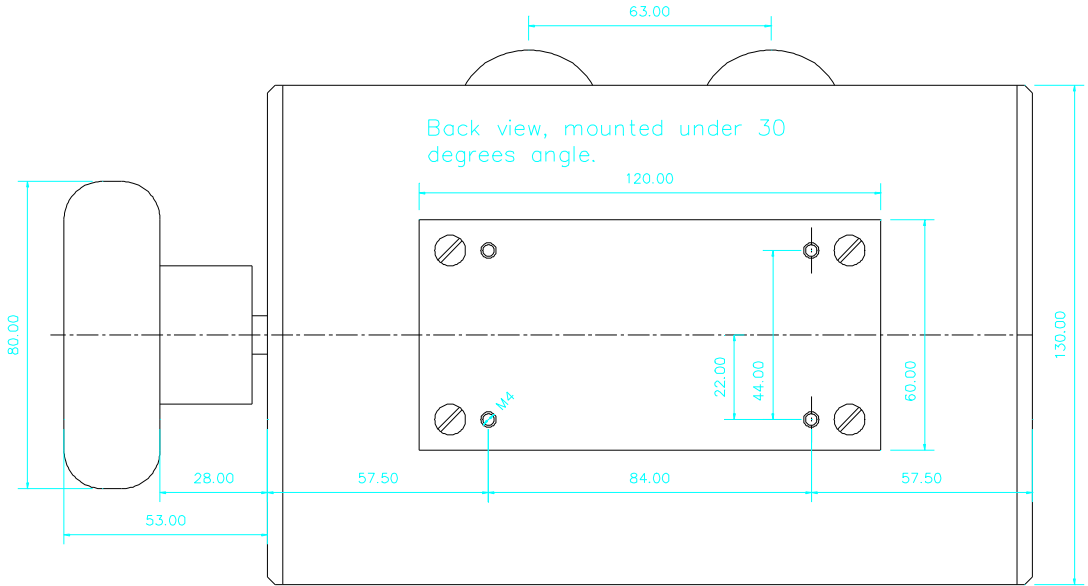


**Mounting the viewer to the wall:**

The 6-slide rotary viewer is a wall-mounted viewer. This means that it cannot be build-in in a wall. The round shaped tube can be mounted in two positions against the wall; straight horizontal or under 30 degrees angle upwards. This enables an easier stand of viewing.

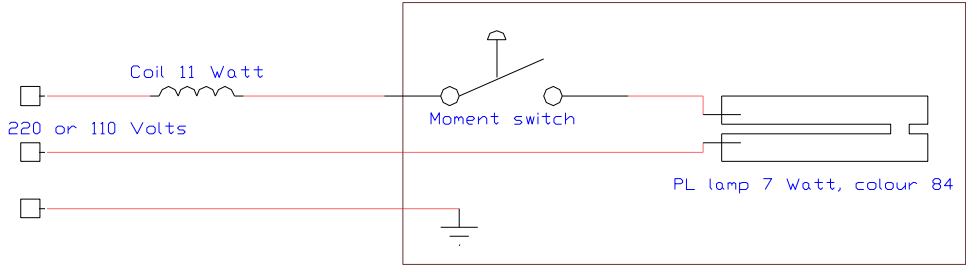
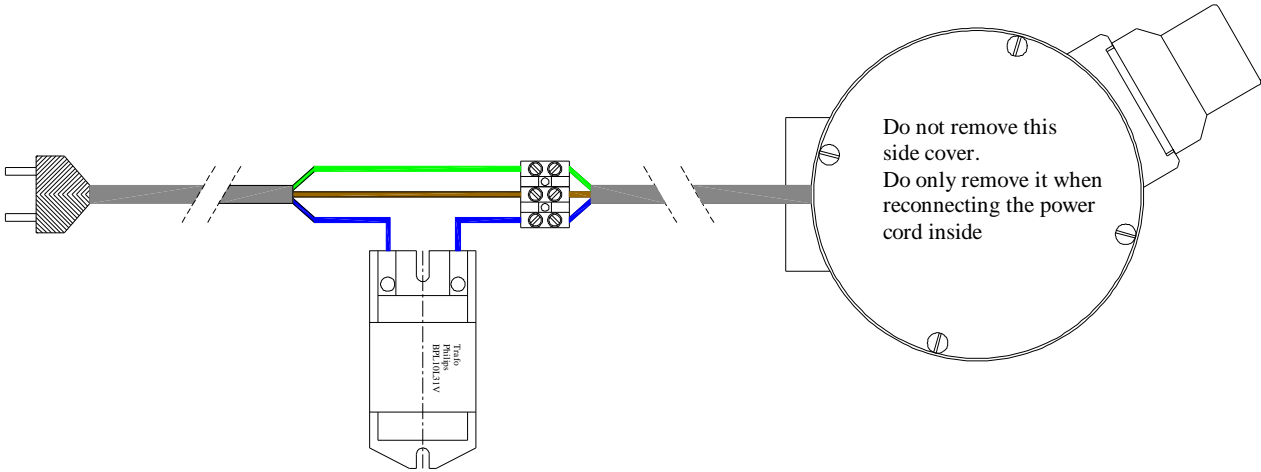


The viewer can be mounted with four M4 bolts as visualised on the picture below. Taking the other M4 bolts out of mounting block and turn the mounting block to the desired position can change the viewing angle. Fasten the four M4 bolts again and mount it with the other M4 bolts.



**Connecting the power supply:**

Connect the viewer according to the below-illustrated schematic



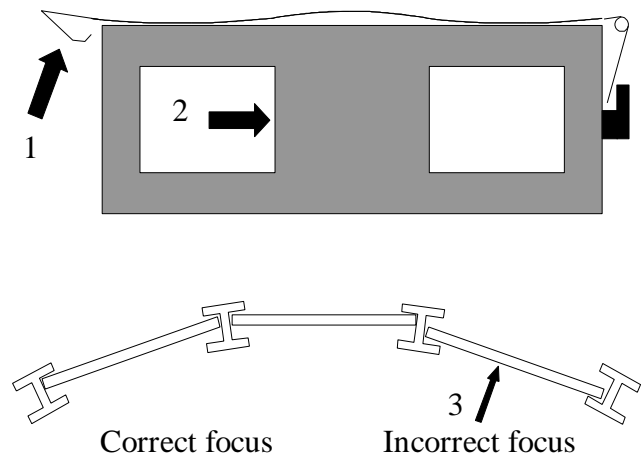
### Inserting slides:

Remove the right side cover (with the turning knob) by removing the four bolts. Now together with the right side, the drum is coming out of the tube.

For inserting the slide follow the following procedure:

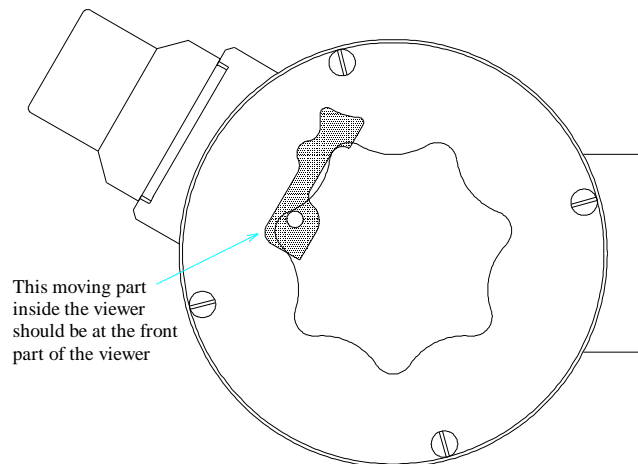
1. Push on the tip of the spring with the edge of the slide in such a way that it allows the slide to be shifted between the U shaped bars.
2. Push the slide all the way to into the bars until it blocks at the right side of the drum.
3. The slide should be pushed in arrow direction in order to be focussed. If the stereo slide is not correctly aligned in its mount (difference in height), place a piece of flat spring on the lower side of the slide.

Format 41x101 mm.



### Exchanging the lamp:

1. Remove the right side cover (with the turning knob) by removing the four bolts.
2. Now together with the right side, the drum is coming out of the tube.
3. In the tube you can see the PL lamp mounted in a lighthouse with diffuser glasses. With your fingertips you can pullout the lamp and replace it for a new one.
4. Be careful with closing the right side cover of the viewer housing. Look at right picture, and pay attention to the position of the right cover.



Technical details:

Slide frame format:	6x 41x101 mm.
Max. slide format:	24x33 mm.
Lenses:	Single achromatic f= 60 mm. d= 30 mm.
Illumination:	PL tube light, 7 Watt cool white (84)
Weight:	3,9 Kilograms