

User manual for the Build-in 3-D viewer

Purpose:

The viewer can be build in walls for showing 3-D (stereoscopic) slides.

Features:

- slide frame format is 50x50 mm. 2 mm. thickness. and 41x101 mm. 3 mm. thickness
- Maximum picture format 36x36 mm.
- Coated achromatic lens ? 30 mm. F= 60 mm. (enlargement 4.2) high resolution. Fixed focus.
- Viewing angle 30° with reference to the base.
- A white milk glass screen, for light dispersion is mounted beyond the focal point.
- Illumination is NOT included with the viewer.

Mounting:

Prepare an exhibition panel with a hole having the size according to the enclosed drawing on the back side. Take the light beam into account that no shadows appear on the backside of the milk glass.

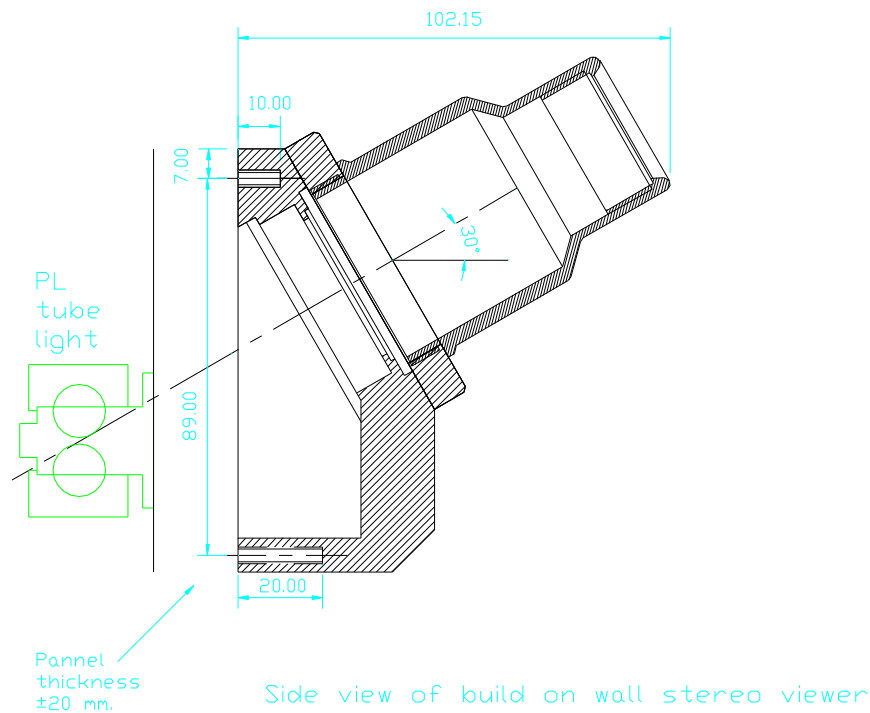
Use the enclosed drawing to mark the drill holes on the panel.

For replacing the slide, remove the 4 bolts at the front of the viewer.

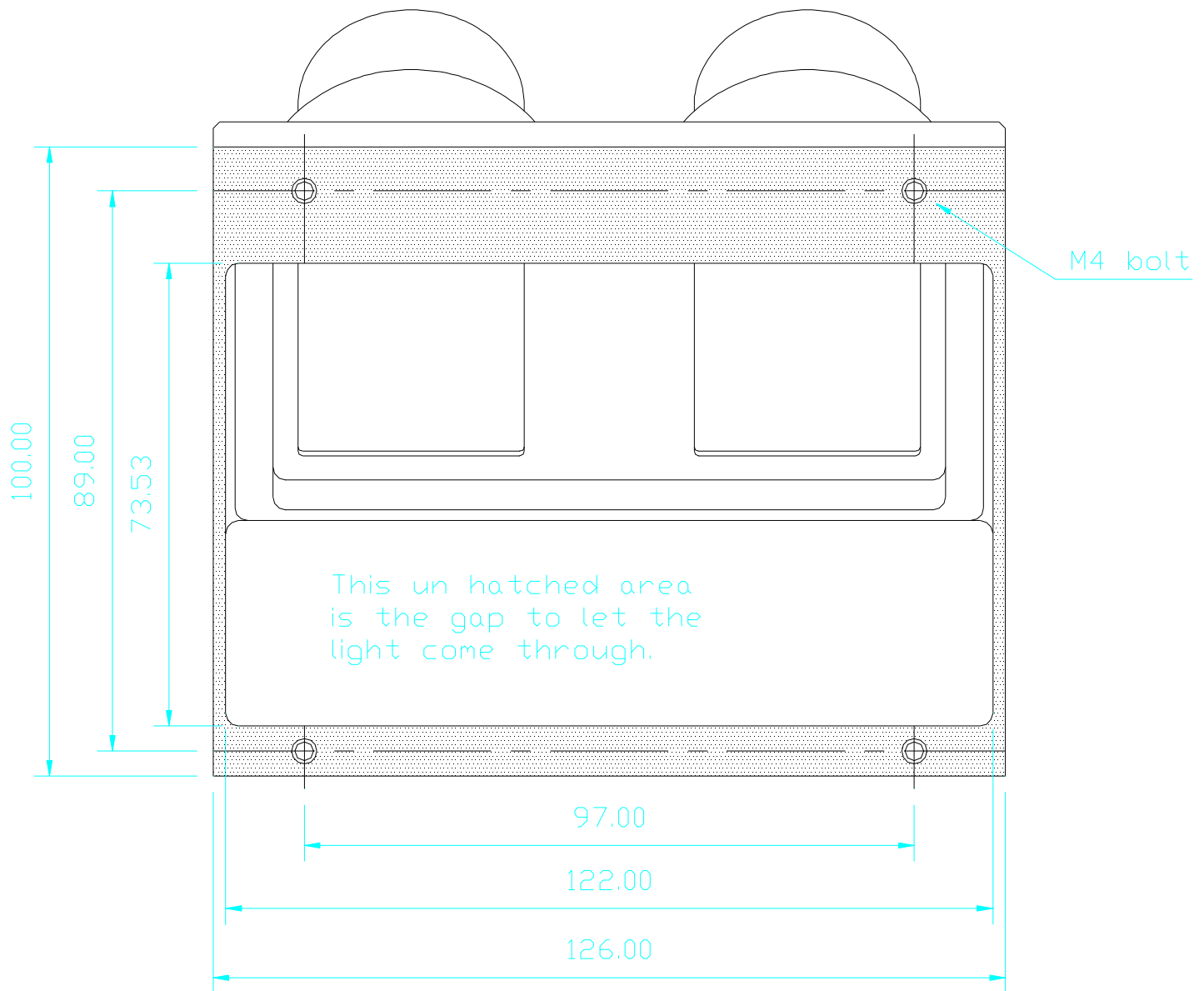
Illumination:

The illumination should be cool white. The best way to reach this, is using a PL or TL tube light.

Use the longer PL tube light of 9 Watt.



For more information please mail to:
info@dewijs-3d.com



Backside view of build on wall stereo viewer
scale is 1:1

For more information please mail to
info@dewijs-3d.com