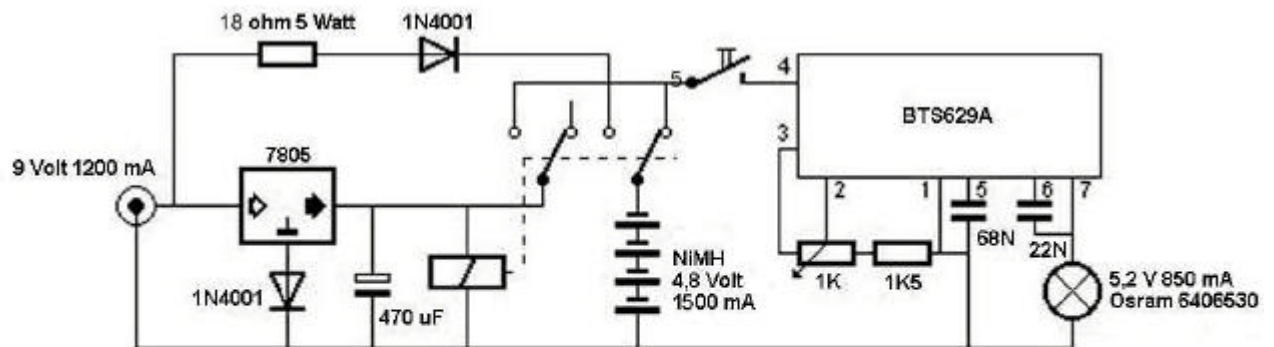


MANUAL FOR THE EASY VIEWER LIGHT ATTACHMENT, MODEL 01-13E-LAadj.



The light attachment for your Easy viewer is equipped with rechargeable NiMH batteries with a capacity of 4.8 Volts at 1500 mA. These are in contrast to the NiCa batteries better for the environment and free of 'memory effect'.

For charging the batteries a DC adapter is needed providing a stabilised power of 9 Volts DC at, at least, 1 Ampère current. The DC plug at the side of the attachment has a size of 5,5/2,5 mm. with it's + polarity located at the outside jacket. Charging a total empty battery takes about 14 hours.



Lightbox adjustable
J.v.Ekeren dec. 2000

New batteries will reach their full capacity after several times charging and discharging. The same counts for batteries, which haven't been used for a long time. So it is recommended to charge the batteries regularly.

When using the light attachment for a long time on adapter, it is recommended to set the adapter to 7,5 Volts to reduce the emission of heat inside the attachment.

Exchanging the lamp bulb can be achieved by taking away the small black Plexiglas plate. The lamp is located underneath this plate. Unscrew the bolt and take the black plate, together with the diffuser foil, away. Take the broken lamp out of its mount and replace it. Replace the diffuser foil with the black plate back to its position and fasten it. **DO NOT FASTEN THE SCREW TO TIGHT**