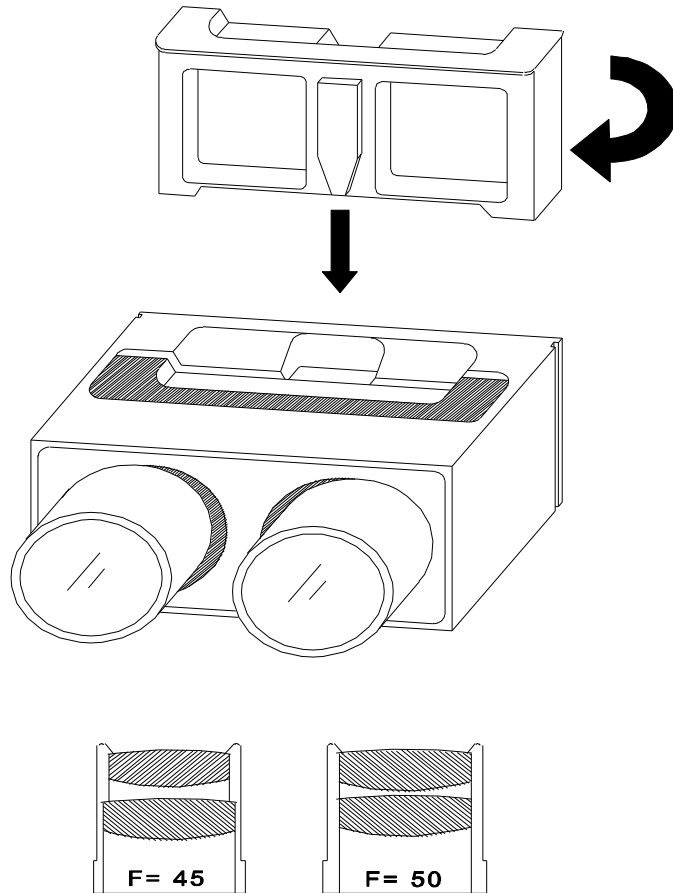


Manual for the 3-D Combi viewer.



Adjusting sharpness.

By turning one ocular separately, in or out of the viewerbody, sharpness is adjusted for one eye.

Adjusting the lensseperation.

By pulling the oculars from left to right, the lensseperation will be adjusted.

Changing the oculars.

For the slideformat 24x28 mm. upto 24x36 mm. use the oculars with the focaldistance of 50 mm. For slideformates smaller than 24x28 mm. use the oculars with the focaldistance of 45 mm.

Changing the slideframe format from 41x101 mm. to 50x50 mm.

Two holes are situated at the underside of the viewerbody. The black slideframe- holder is coming out of the viewerbody by pushing with two fingers in the two holes. The next step is to take the slideframe- holder totally out of the viewerbody, turn it upside down and replace it in the correct position back into the viewerbody.