

User manual for the Build in mono or 3-D viewer

Purpose:

The viewer can be build in walls for showing mono slides or 3-D (stereoscopic) slides.

Features:

- slide frame format is 50x50 mm. 3 mm. thickness.
- Maximal picture format 40x40 mm.
- Coated achromatic lens ? 30 mm. F= 60 mm. (enlargement 4.2) pin sharp. Fixed focus.
- Build-in angle is 30°, with regard to the horizon.
- White milk glass as light dispersion and out of the focus range of the lens.
- Illumination is NOT included with the viewer.
- For 3-D (stereoscopic) use, two mono viewers can be mounted together with two bolts.

Mounting:

Prepare an exhibition panel with a hole having the size according to the enclosed drawing on the back side. Take the light beam into account that no shadows appear on the backside of the milk glass.

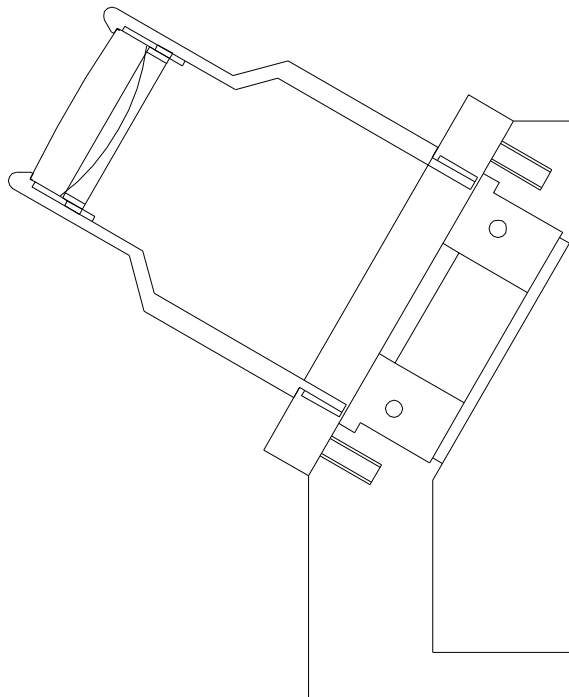
Use the enclosed drawing to mark the drill holes on the panel.

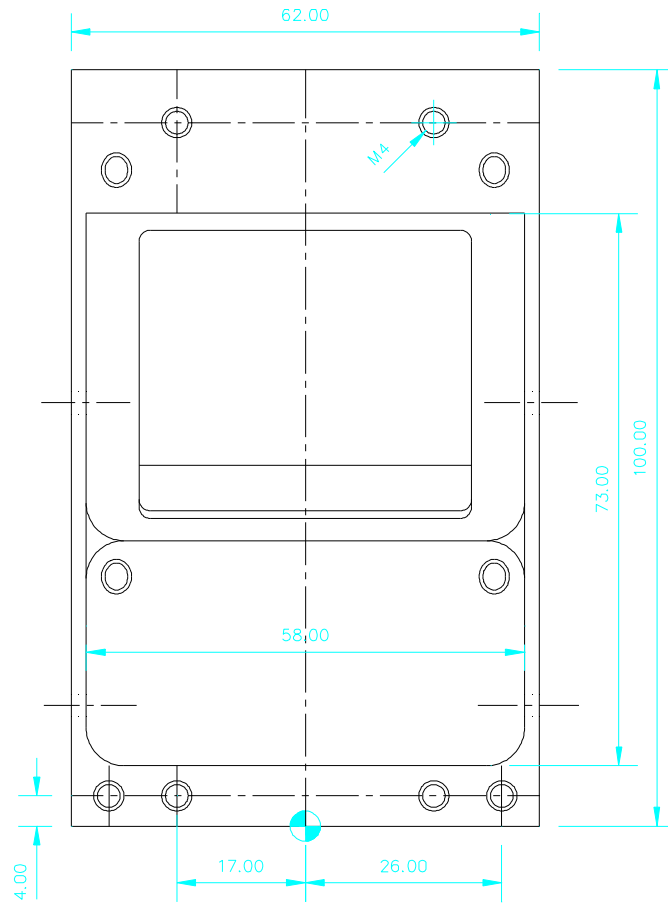
For replacing the slide, remove the 4 bolts at the front of the viewer.

Illumination:

The illumination should be cool white. The best way to reach this, is using a PL or TL tube light.

For stereoscopic use, use the longer PL tube light of 9 Watt.





Backside view drawn on scale 1:1